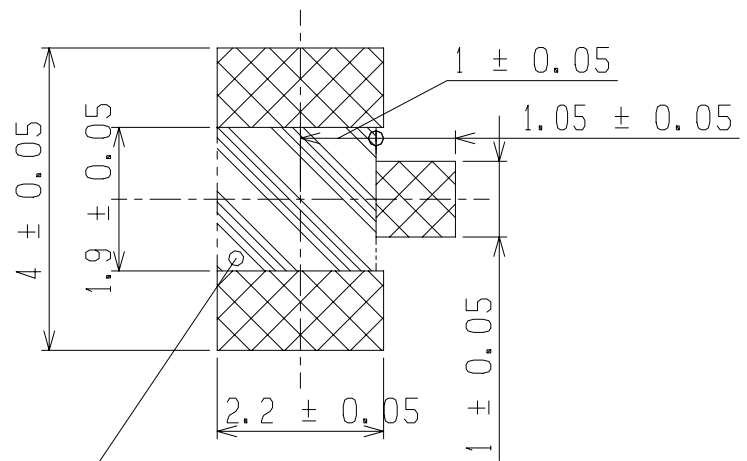
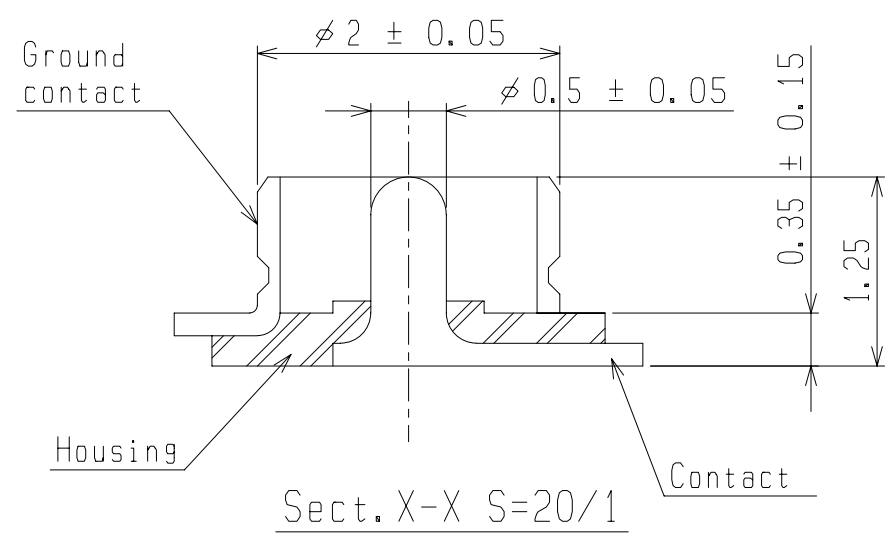
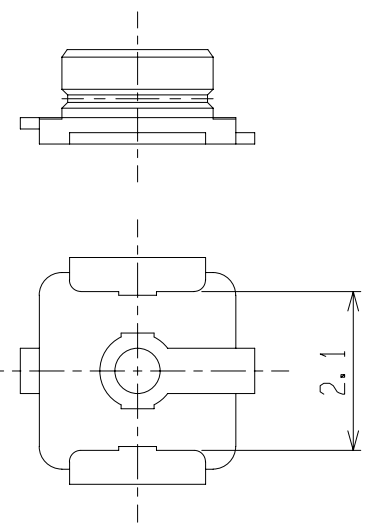
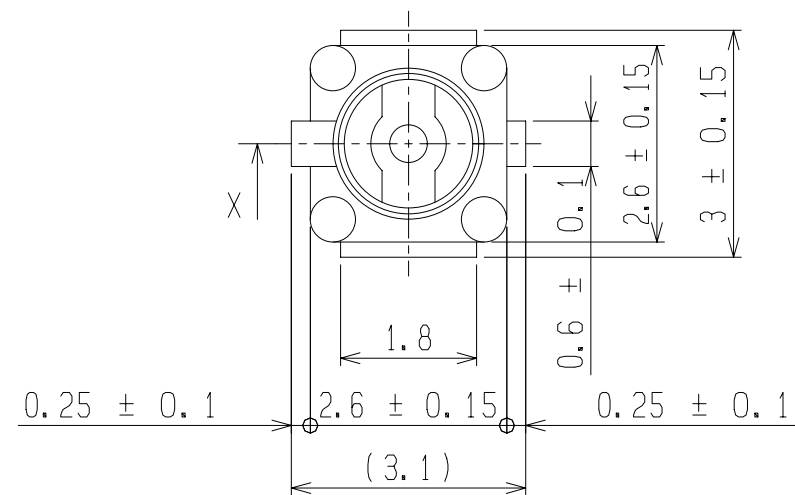
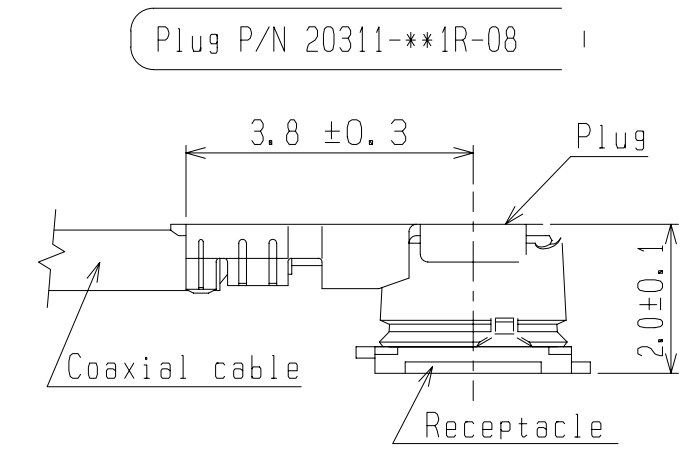
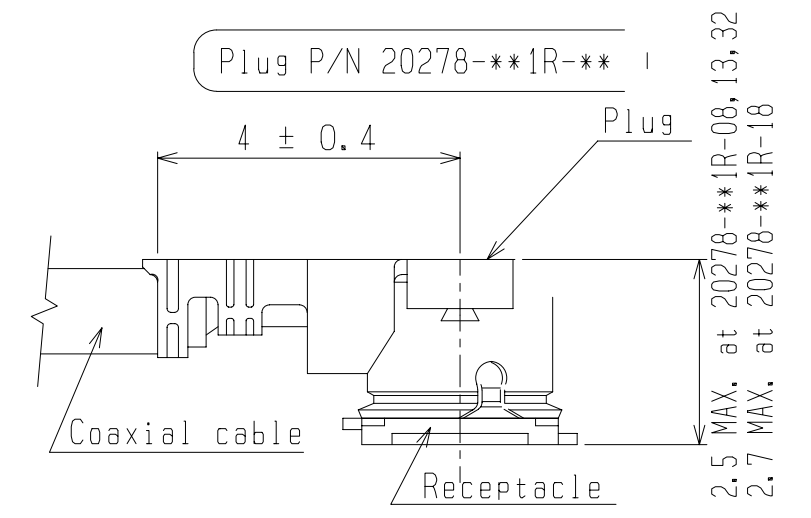


PART NO.
20279-001E-01



Cut out prohibition area
パターン禁止エリア
RECOMMENDED FOOTPRINT PATTERN

MATING



Notes

- Material
 - (1) Housing : LCP , UL94V-0 , white
 - (2) Contact : brass , gold plating
 - (3) Ground contact : phosphor bronze , gold plating
- Coplanarity : 0.1mm MAX.
- Packing : emboss tape
- Mating partner part No.
 - : 20278-***1R-***
 - : 20311-***1R-08

Notes

- 材料
 - (1) ハウジング:LCP, UL94V-0, 白色
 - (2) コンタクト:黄銅, 金メッキ
 - (3) グランドコンタクト:りん青銅, 金メッキ
- コプラナリティ:0.1mm MAX.
- 梱包 : エンボステープ
- かん合相手 part No.
 - : 20278-***1R-***
 - : 20311-***1R-08

GENERAL TOLERANCE	
6 MAX.	±0.2
6 OVER MAX.30	±0.3
30 OVER MAX.120	±0.5
ANGLE	±2°

3	Z2134	K.O	JUN/11/02	K.K	DESIGN'D BY K. Ohbayashi	DATE JUN/07/01
2	Z2052	A.H	MER/07/02	K.K	CHK'D BY	DATE
1	Z1197	K.O	AUG/27/01	K.K	E.Kawabe	JUN/07/01
0	Z1103	K.O	JUN/07/01		APP'D BY	DATE
REV	ECN	BY	DATE	APP	K.Katabuchi	JUN/07/01
REV. RECORD					CUSTOMER	PROJECTION
SERIES No.			2814	COPY		SCALE

I-PEX Interconnect and Packaging Electronics TOKYO, JAPAN

TITLE: MHF series micro coaxial connector receptacle vertical

SCALE: 10/1 UNIT: mm DWG. No.: 20279 SHEET: 1/1 REV.: 3